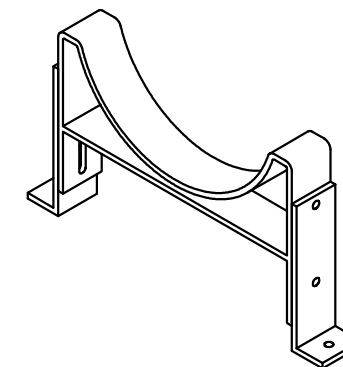
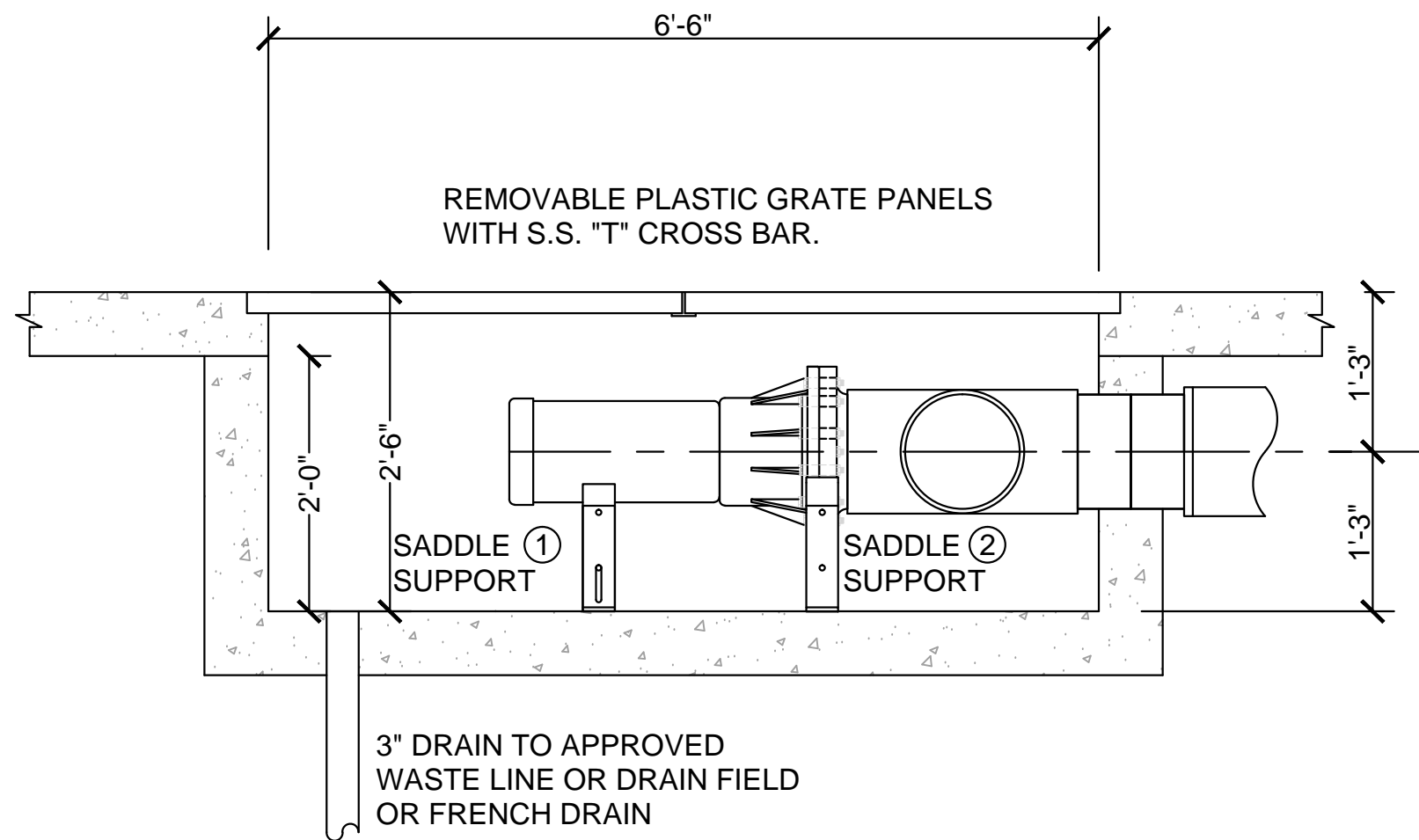


MOTOR MOUNT SADDLE

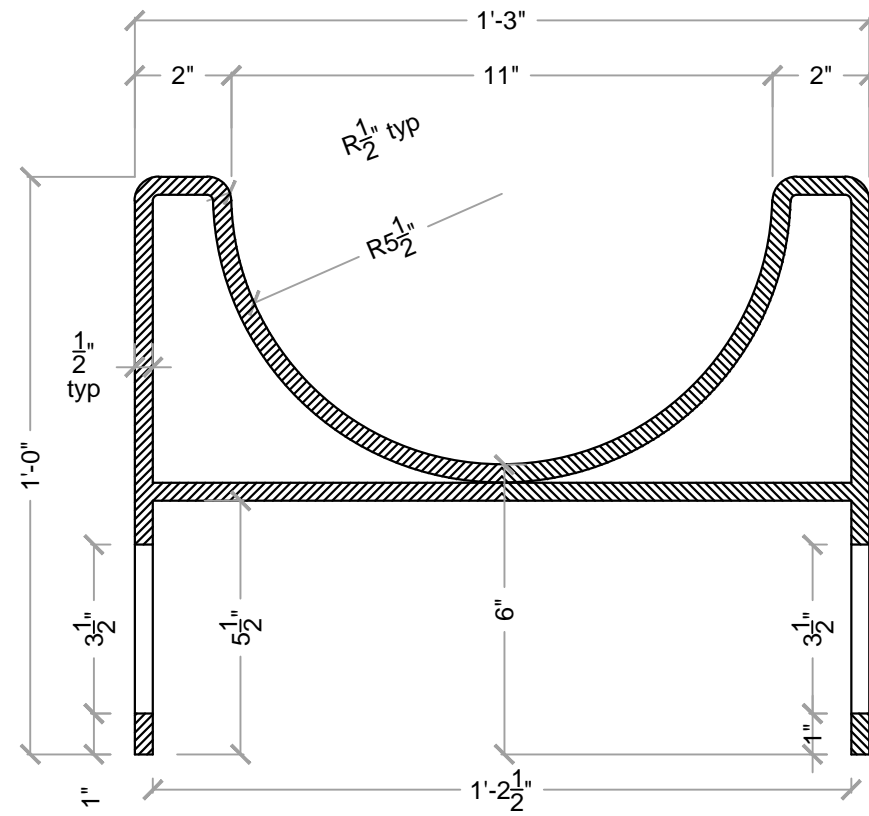
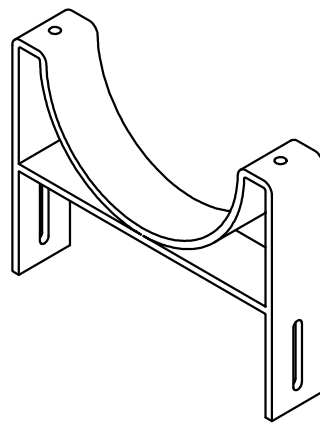
SADDLE IS TO BE FABRICATED FROM 3" X 3/8" ZINC PLATED STEEL BAR REFER TO FABRICATION DRAWING.



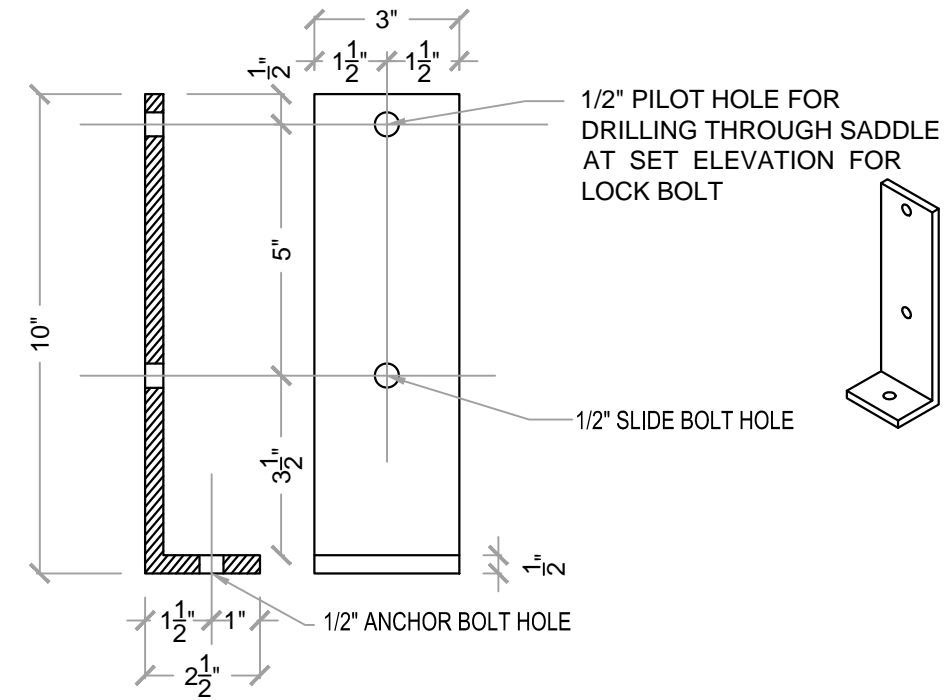
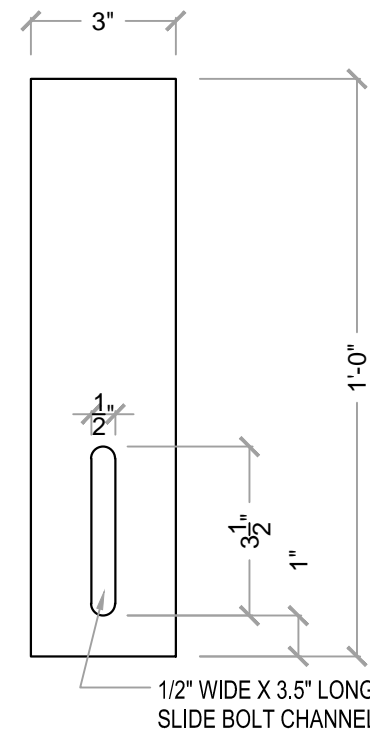
FLANGE MOUNT SADDLE

SADDLE IS TO BE FABRICATED FROM 3" X 3/8" ZINC PLATED STEEL BAR REFER TO FABRICATION DRAWING.

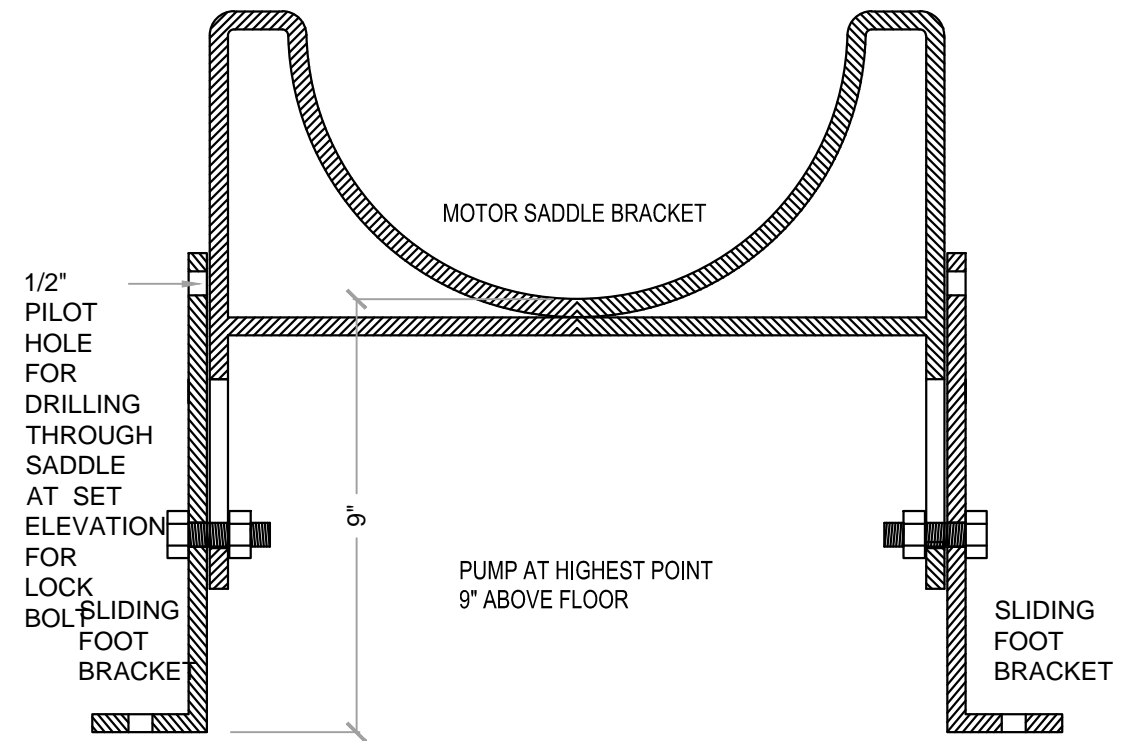
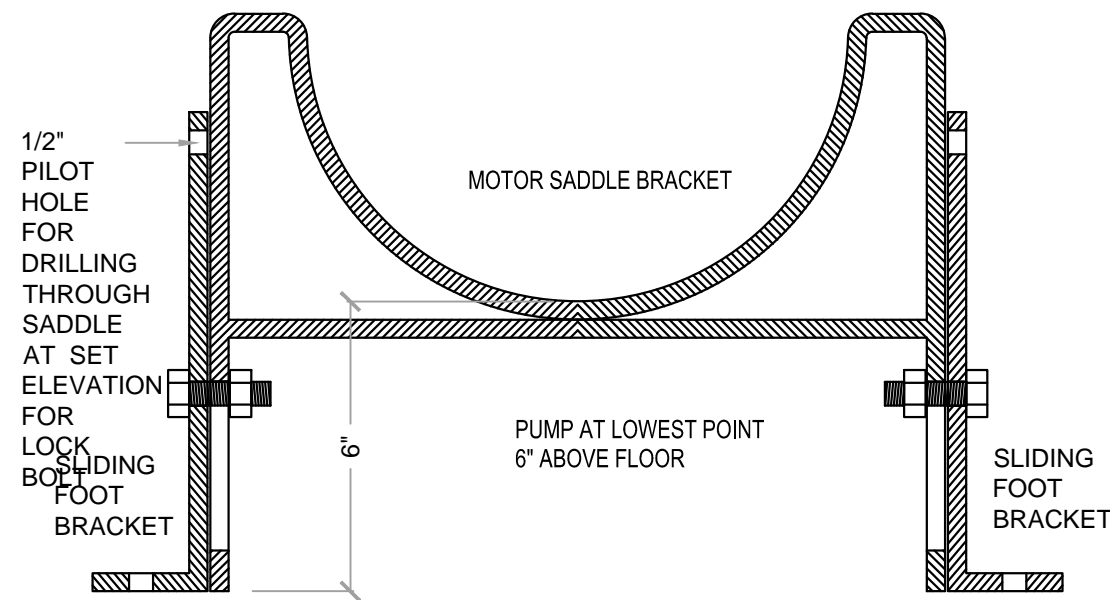




**MOTOR SADDLE BRACKET**



**SLIDING FOOT BRACKET**



**EXPANDABLE MOTOR STEEL SADDLE BRACKET ASSEMBLY**

SHEET TITLE:  
MOTOR SADDLE  
MOUNT

PROJECT NAME:  
RIVERFLOW  
PUMP VAULT  
MOTOR MOUNTING

888-443-4113 Toll Free  
954-886-0311 Direct  
954-827-2800 Fax  
"Your Moving Water Solution" & Manufacturer of VGB Grates  
www.current-systems.com



REVISION DATE(S)


JOB #:

SCALE:  
AS NOTED

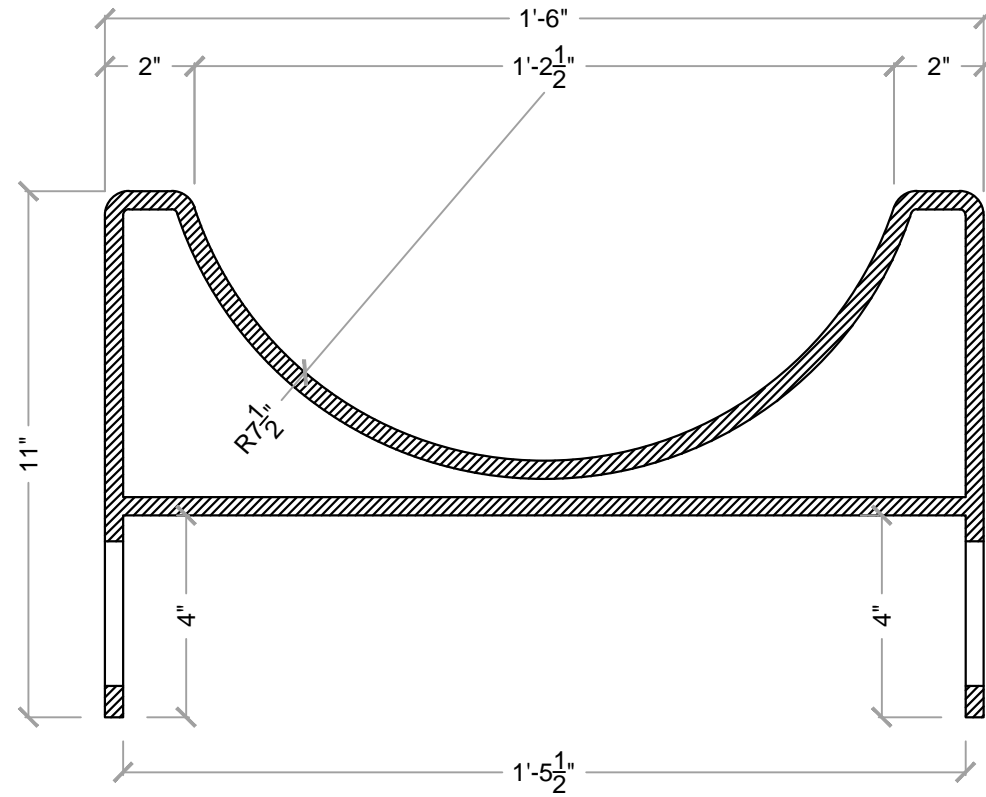
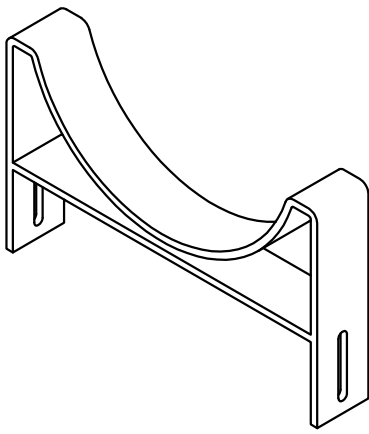
CHECKED BY:  
PDT

DRAWN BY:  
MCK

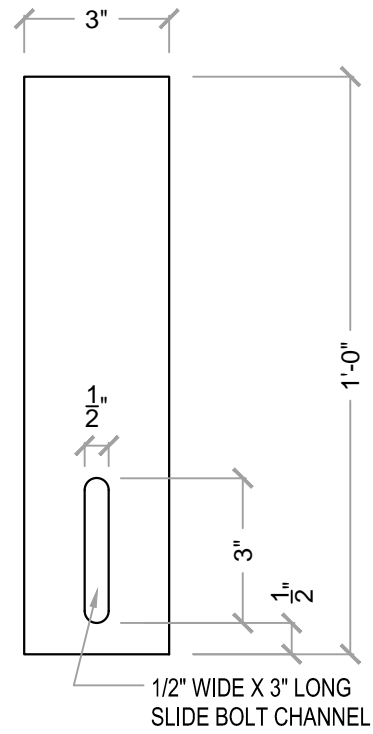
02 / 26 / 15

SHEET NO.:

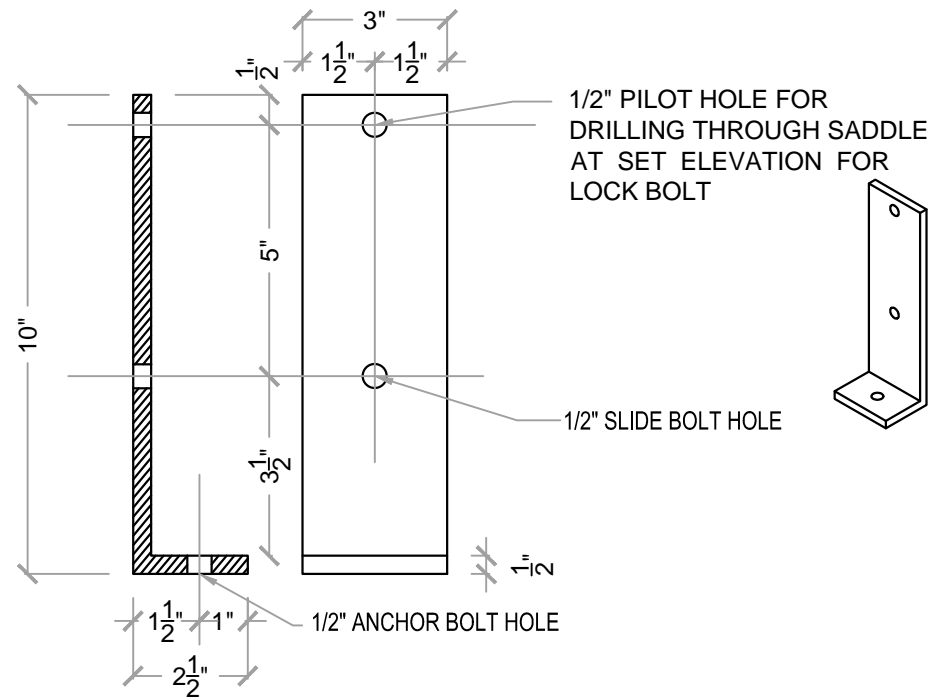
2 OF 3



FLANGE SADDLE BRACKET



1/2" WIDE X 3" LONG  
SLIDE BOLT CHANNEL



SLIDING FOOT BRACKET



REVISION DATE(S)


JOB #:

SCALE:  
AS NOTED

CHECKED BY:  
PDT

DRAWN BY:  
MCK

02 / 26 / 15

SHEET NO.:

3 OF 3